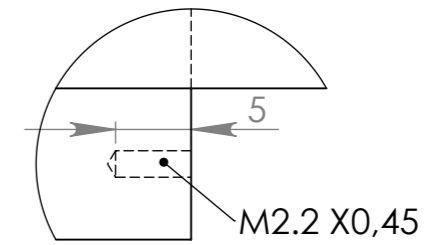
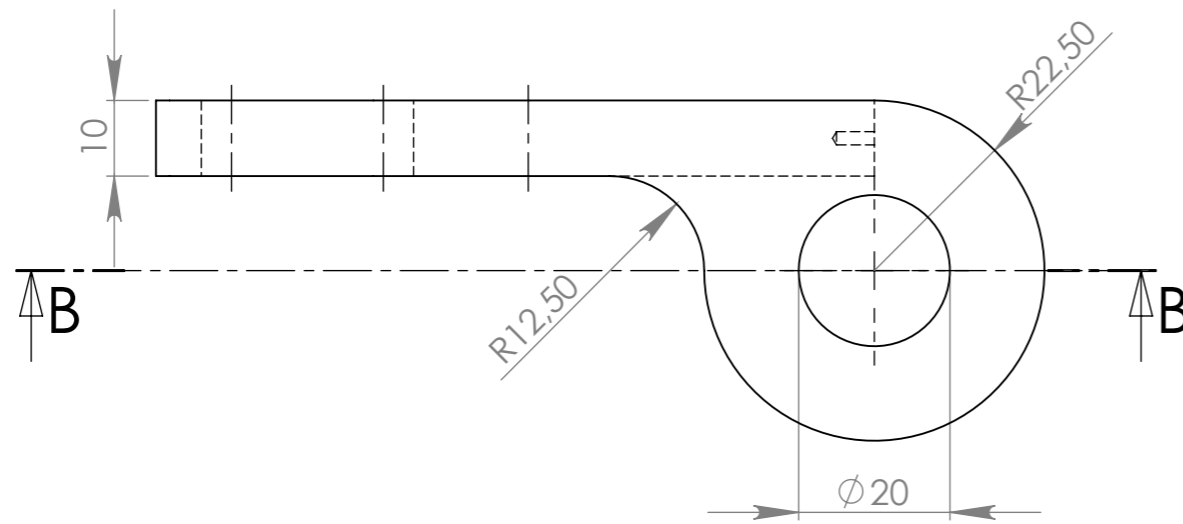
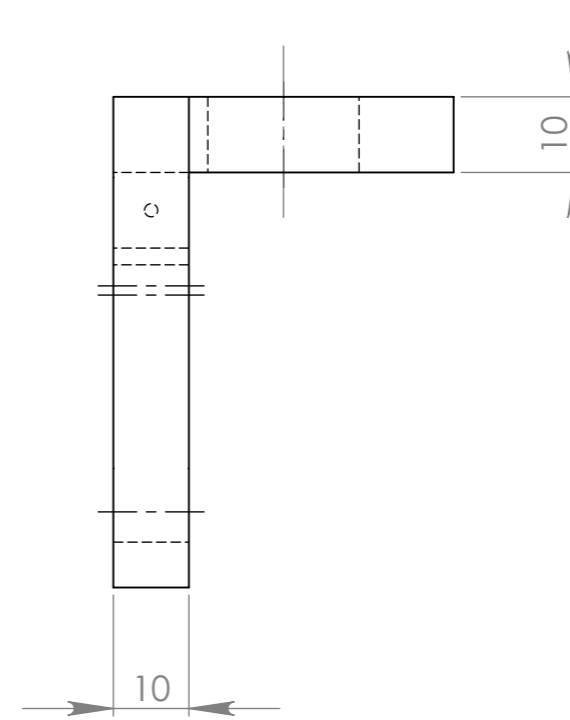
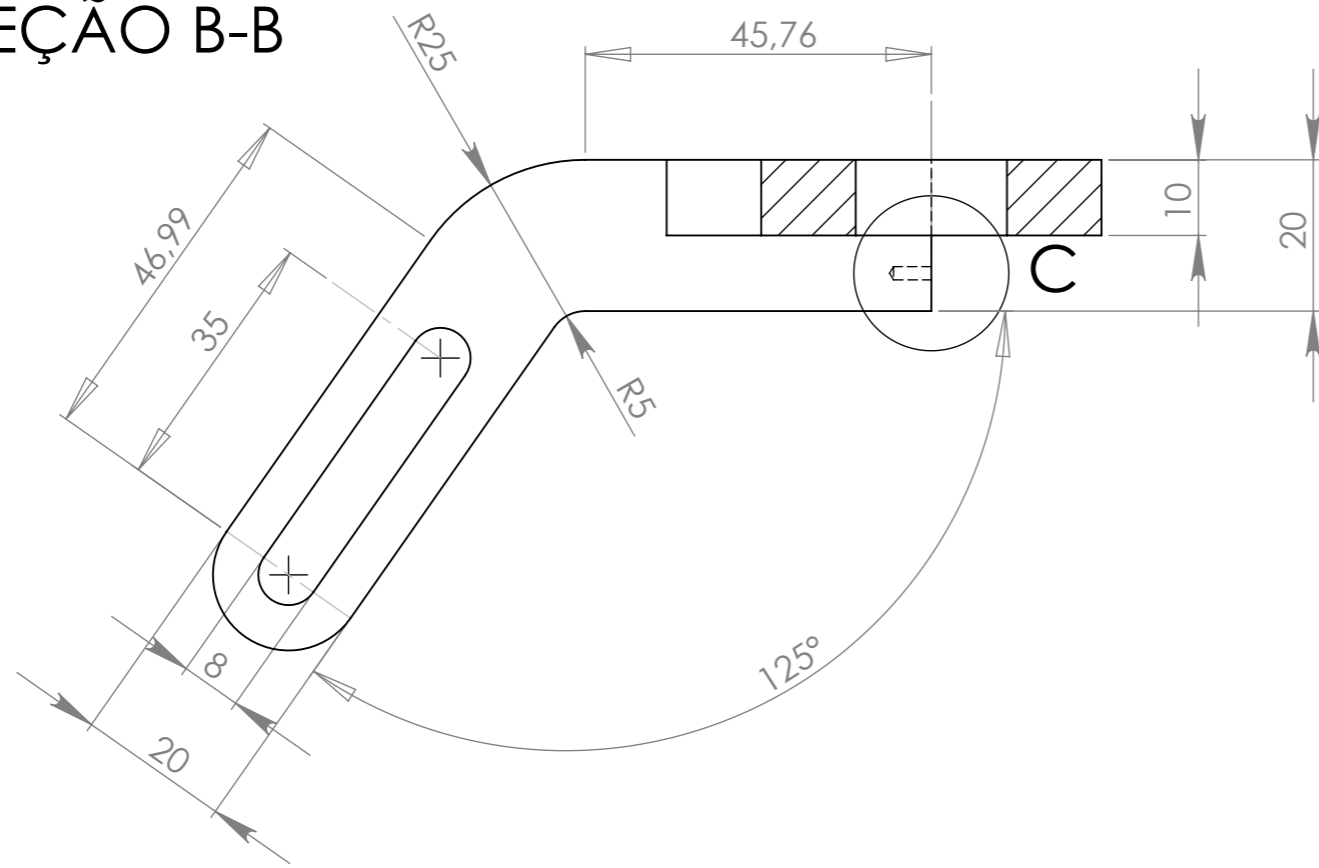


SEÇÃO B-B



DETALHE C ESCALA 2 : 1

UNLESS OTHERWISE SPECIFIED: DIMENSIONS ARE IN MILLIMETERS		FINISH:		DEBUR AND BREAK SHARP EDGES		DO NOT SCALE DRAWING		REVISION	
SURFACE FINISH:									
TOLERANCES:									
LINEAR:									
ANGULAR:									
DRAWN		NAME		SIGNATURE		DATE		TITLE:	
CHK'D									
APPV'D									
MFG									
Q.A						MATERIAL:		DWG NO.	
								Garcia	
						WEIGHT:		SCALE:1:1	
								SHEET 1 OF 1	
								A3	